

# W360 Interior Landscape / Aquascape Light

## 80W LED / 35°



### ORDERING GUIDE

CXW360N -  -  -  -  -

#### Spectrum

AMZ Amazon Sun (4000 - 6500K)  
TB Tuna Blue (10000 - 20000K)

#### Finish

WH White  
BK Black

#### Mount

TOX w/ O-type DMX Track Adapter  
TON w/ O-type Non-DMX Track Adapter  
CLP w/ Clamp Mount  
TG w/ G-type Track Adapter  
TEX w/ E-type DMX Track Adapter

Legacy product

#### Power Supply & Control

PS Power Supply



PSX Power Supply w/ DMX  
(compatible with TOX/TEX mount)



#### Plug/Connection

US US 120V  
EU EU 220V

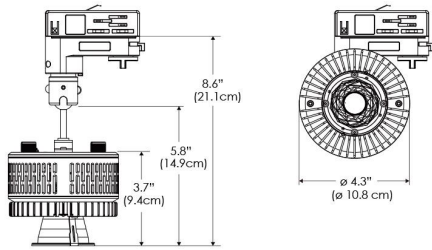
### SPECIFICATIONS

Beam Angle	35°
Spectrum Type	AMZ : Plant Flourish & Growth
	TB : Coral Health & Growth
Control	Intensity (0% - 100%), CCT
LED Source	DiCon Dense Matrix LED
Power Draw	80W max
AC Input Voltage	100 - 240V AC, 60Hz
Cooling	Fan Cooled
Operating Temperature	32 - 104°F (0 - 40°C)
Fixture Weight	1.1lb (~0.5kg)
Power Supply Weight	1.0lb (~0.4kg)

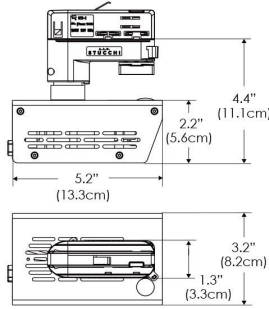
- Plant / Coral Focused Light Spectrum
- High-Intensity Point Source LED
- Low-Profile
- DMX Controllable
- Also Available with Other Optics

MECHANICAL FIGURES

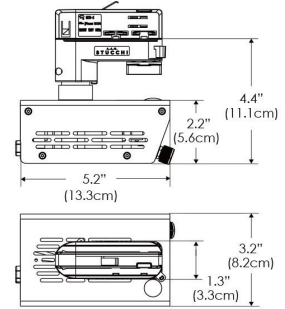
W360N-TOX/TON



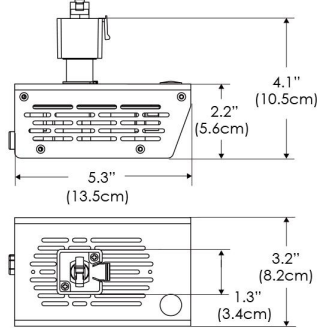
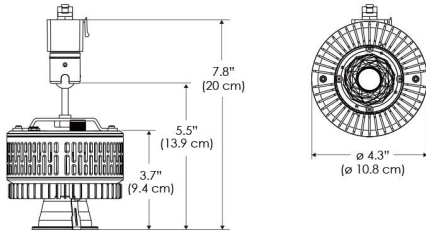
PS



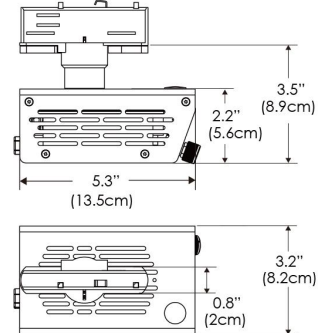
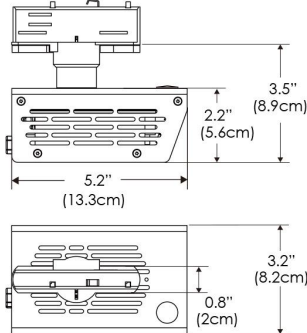
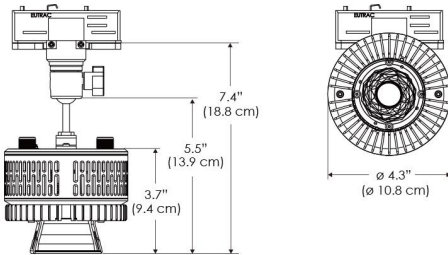
PSX



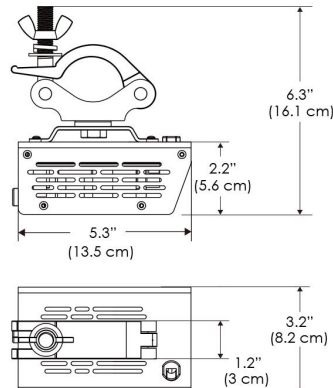
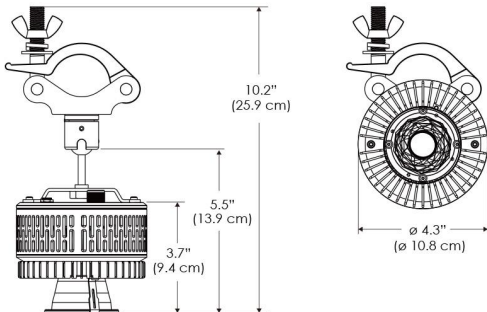
W360N-TG



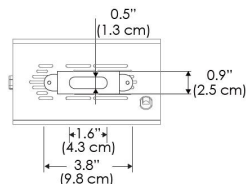
W360N-TEX



W360N-CLP



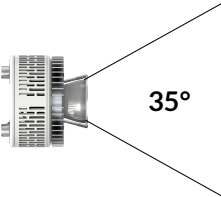
Mounting Bracket Dimensions ALL-CLP



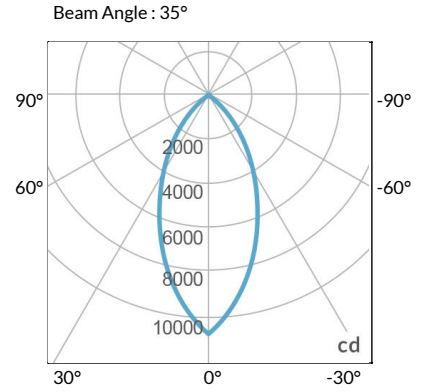
\*All -CLP configuration models come with standard DC cables of 6 inches and AC cables of 10 ft.

**PHOTOMETRIC DATA**

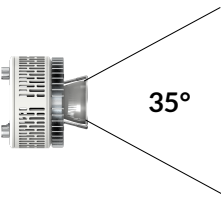
**AMZ**



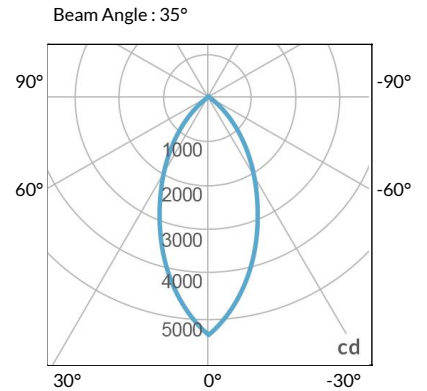
Distance		3' (~0.9 m)	5' (~1.5 m)	10' (~3.0 m)
@4000K	fc	440	134	63
	lux	4728	1438	672
@6500K	fc	445	136	64
	lux	4786	1456	680
Beam Diameter		Ø 3.8' (1.2m)	Ø 6.1' (1.9m)	Ø 9.1' (2.8m)



**TB**



Distance		3' (~0.9 m)	5' (~1.5 m)	10' (~3.0 m)
@10000K	fc	156	69	33
	lux	1675	738	353
@20000K	fc	89	39	19
	lux	953	418	199
Beam Diameter		Ø 3.8' (1.2m)	Ø 6.1' (1.9m)	Ø 9.1' (2.8m)



**DMX FOOTPRINT**

Amazon Sun		
Channel	1	Intensity
	2	CCT (4000-6500k)

Tuna Blue		
Channel	1	Intensity
	2	CCT (10000-20000k)
	3	Violet
	4	Red
	5	Green